

HPVL/SPVL SERIES

HYDRAULIC PILOT CONTROLS



LOADER TYPE PILOT CONTROLS

HPVL and SPVL Pilot Control Valves are part of the comprehensive range of David Brown Hydraulics product, and with the inclusion of electrical detents are designed specifically for Wheeled Loader applications.

The product is supported by an extensive range of control curve characteristics and handle options, and can be supplied to control either two service or three service loader applications.

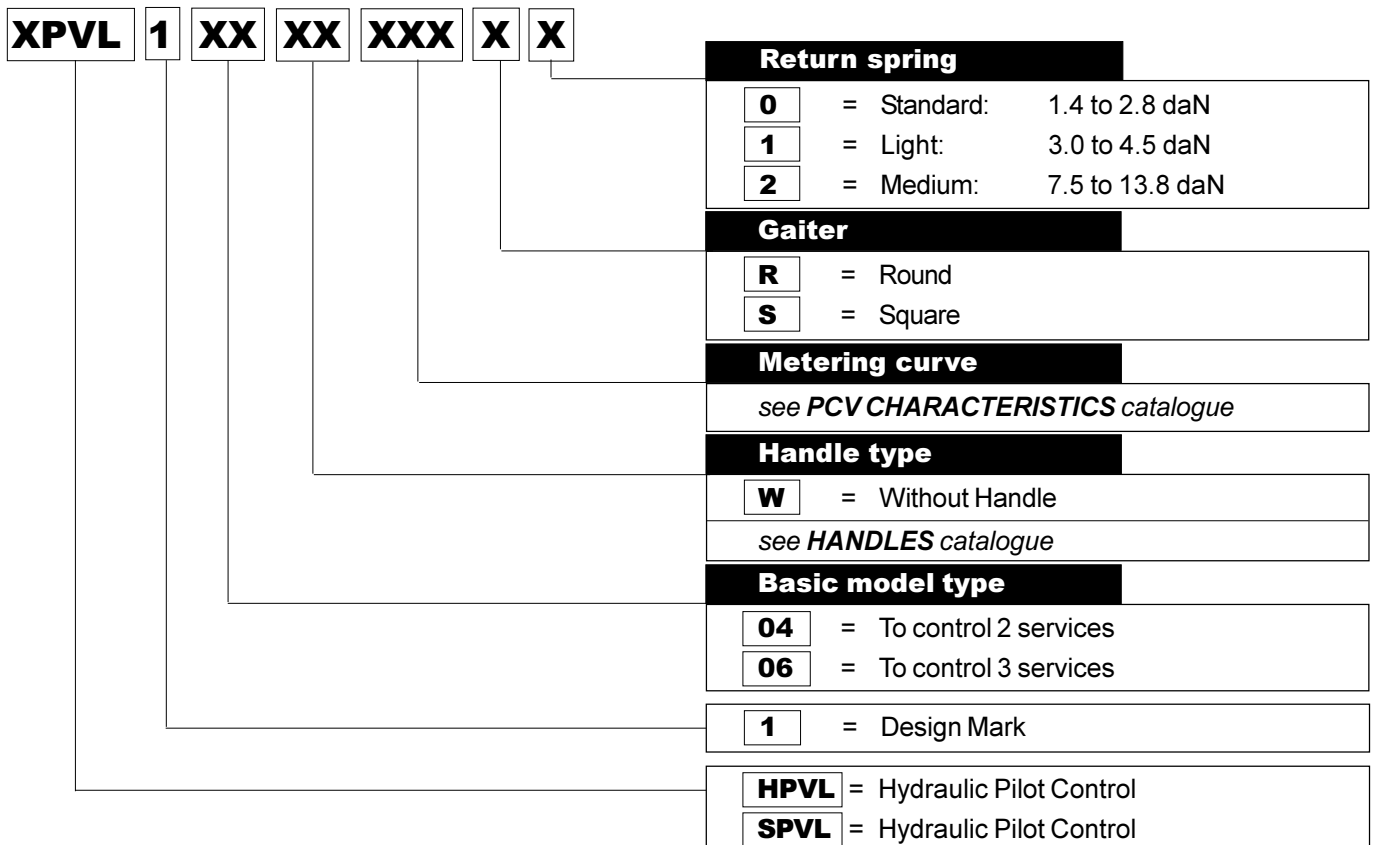
Our engineers can offer specialist support to optimise this product to suit your application. The product is supported by a comprehensive Sales and Service facility around the world.

BENEFITS

- Compact and lightweight
- All ports on bottom face for ease of installation
- Stylish good looks suitable for modern cabs
- Operator insulated from high temperature components
- Proven, simple pressure reducing elements
- Wide range of low hysteresis, high accuracy pressure control curves
- Wide range of electrical options in both standard and multi-functional ergonomic handles
- Electrically releasable detents available as required
- Low effort lever control

David Brown Hydraulics reserve the right to update the information and data contained in this catalogue at any time.

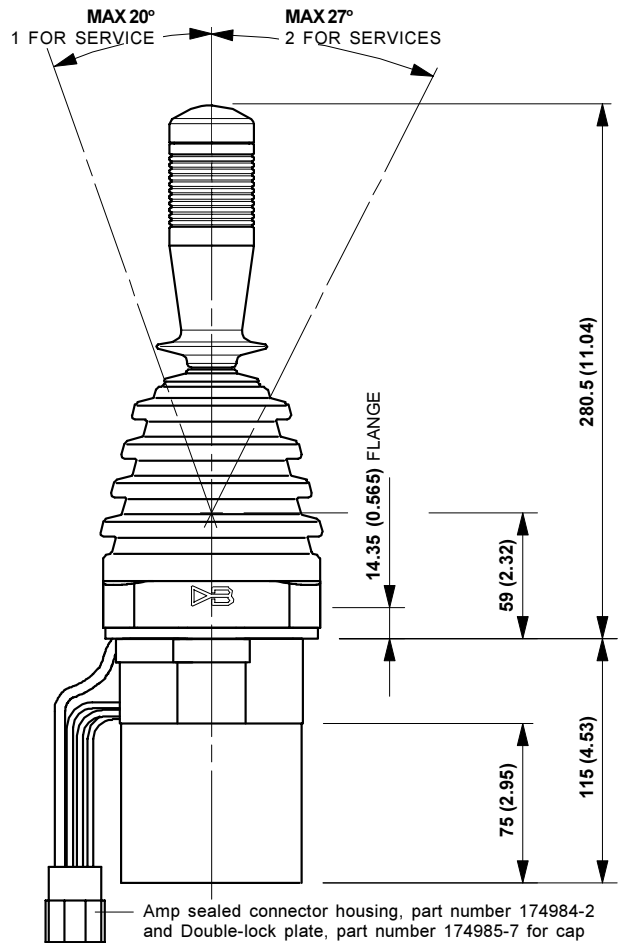
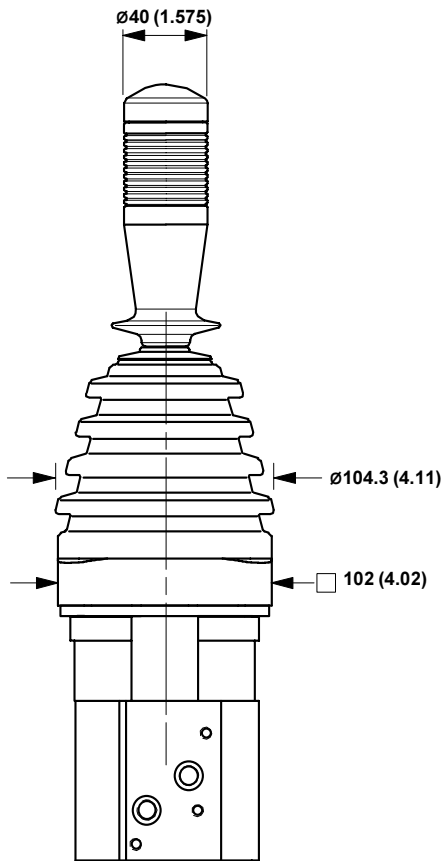
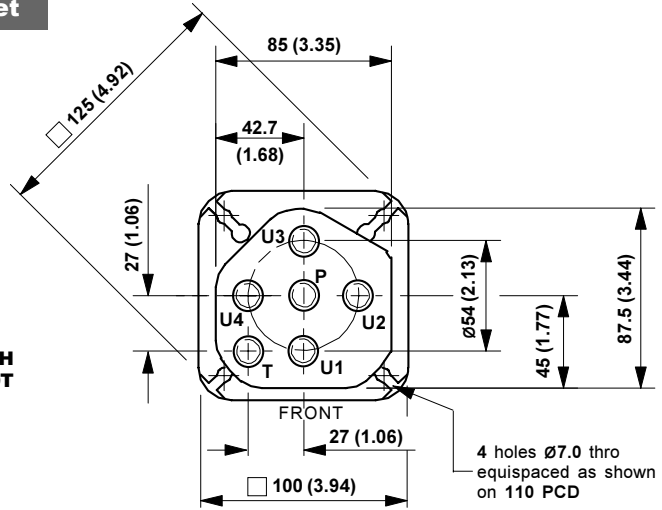
HPVL/SPVL SERIES MODEL CODING



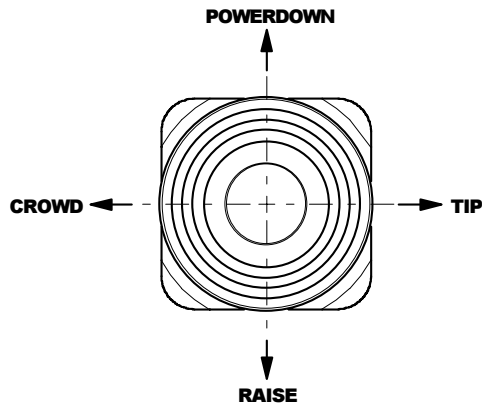
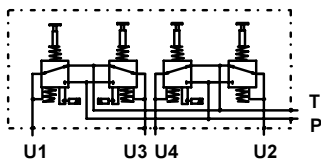
Example: ordering number: HPVL 1 06 SA 015 S 1
 model number: HPVL 1 06 SA 015 S 1 / 123456
 (assigned number)

HPVL104 For control of Boom and Bucket

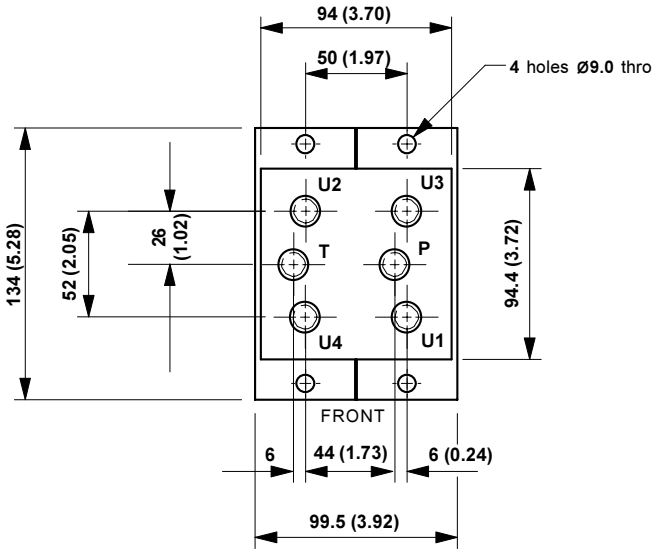
SHOWN WITH
 ROUND BOOT
 FITTED



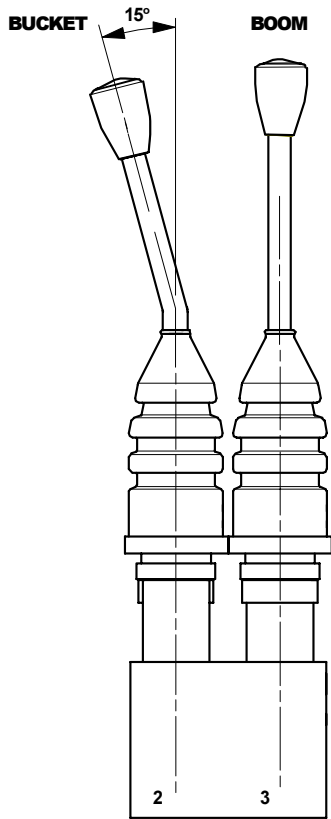
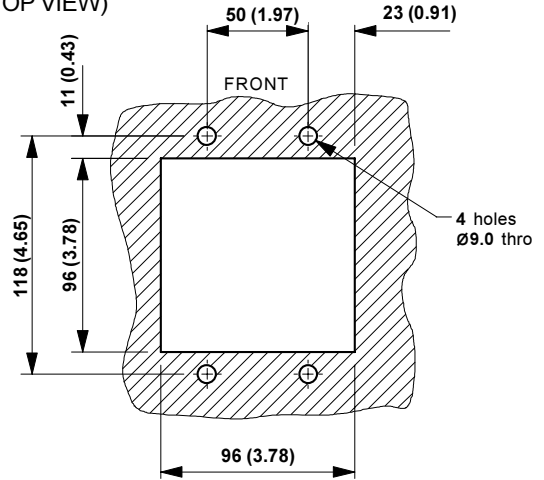
CIRCUIT DIAGRAM



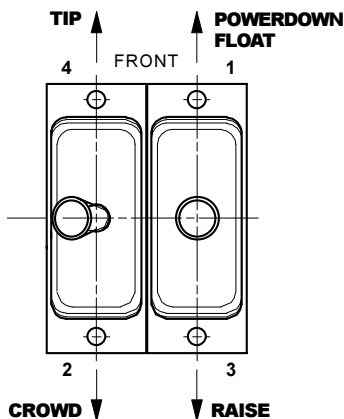
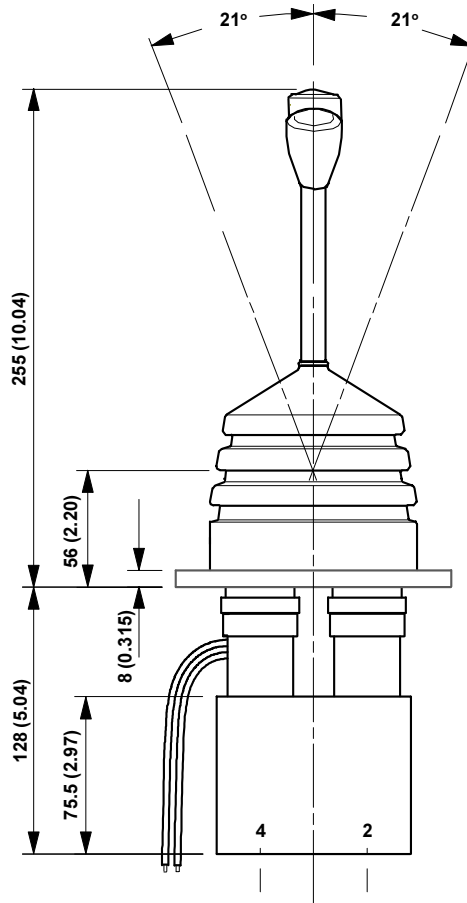
SPVL104 For control of Boom and Bucket



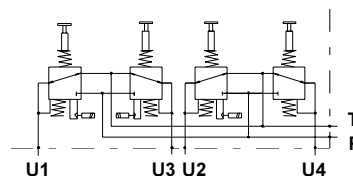
MOUNTING PANEL DETAILS (TOP VIEW)



SHOWN WITH
 ROUND BOOT
 FITTED



CIRCUIT DIAGRAM



Global Hydraulics combines the businesses of David Brown Hydraulics, Hydreco, and Powauto and supports worldwide customers with application expertise and famously reliable products.

The Global Hydraulics range includes pumps, motors, valves, pilot valves and power take offs to provide transport and mobile hydraulic solutions to customers seeking reliability combined with advanced performance. For assistance see contact information below.



CONTACT INFORMATION

AUSTRALIA

David Brown Engineering & Hydraulics Pty Ltd
Unit 1A/167 Prospect Highway
Seven Hills,
NSW, 2147
Tel: +61 2 9838 6800
Fax: +61 2 9838 6899
E-mail: sales@powauto.com.au

DANMARK

David Brown Hydraulics Danmark A/S
Fuglebaekvej 3d
DK-2770 Kastrup
Tel: +45 32 51 40 15
Fax: +45 32 51 20 22
E-mail: david-brown@david-brown.dk

FINLAND

David Brown Hydraulics OY
Vanha talvitie 3C
FI-00580 Helsinki
Tel: +358 9 3424 120
Fax: +358 9 3424 1236
E-mail: sales@davidbrownhydraulics.fi

DEUTSCHLAND

David Brown Hydraulics Deutschland GmbH
c/o Benzler TBA BV, Jackthavenweg 2
NL-5928 NT Venlo
The Netherlands
Tel: +31 77 32020 95
Fax: +31 77 32459 01
E-mail: davidbrown@t-online.de

ITALIA

David Brown Hydraulics Italia S.r.l.
Via del Costruttore, 64
41058 Vignola - MO
Tel: +39 059 7700411
Fax: +39 059 7700425
E-mail: dbitalia@dbhsl.com

NORWAY

David Brown Benzlers AS
Stromsveien 312
Postboks 73 Leirdal
Oslo 1008
Tel: +47 22 90 94 10
Fax: +47 22 90 94 11
E-mail: post@dbhsl.com

USA

Hydreco Inc.
1500 Continental Blvd Ste Z
Charlotte
NC 28273-6376
Tel: +1 704-295-7575
Fax: +1 704-295-7574
E-mail: sales@hydreco.com

UK

David Brown Hydraulic Systems Limited
32 Factory Road
Poole
Dorset
BH16 5SL
Tel: +44 (0) 1202 627500
Fax: +44 (0) 1202 627555
E-mail: info@dbhsl.com

WEBSITES

David Brown Hydraulics:
www.davidbrownhydraulics.com

Hydreco:
www.hydreco.com

Powauto:
www.powauto.com.au